

PRA-SCL System controller, large

www.boschsecurity.com



BOSCH
Invented for life



- ▶ Full control of PRAESENSA devices and audio routing
- ▶ Built-in supervised storage for messages and tone files
- ▶ Support for Dante audio input and output streams
- ▶ Open interface to third party applications
- ▶ IP-networked on OMNEO for audio and control

The PRA-SCL is the most powerful version in a range of system controllers.

The system controller manages all system related functions in a PRAESENSA Public Address and Voice Alarm system. It routes all audio connections between network-connected PRAESENSA audio sources and destinations. It supervises and plays back messages and tones, stored on its flash memory, either scheduled or manually started from a call station or PC. It manages the routing of background music streams, along with business calls and emergency calls, all based on priority level and zone occupancy. It collects all status information of connected system devices, manages the event logs and reports faults. The system controller is network-connected via OMNEO and DC-powered from a multifunction power supply with integrated battery backup, accommodating both centralized and decentralized system topologies. Connections to other devices in the system are made using the built-in 5-port switch, supporting RSTP. The built-in web server allows for system configuration using a browser.

Functions

System control and audio routing

- Capability to control a system with up to 250 devices, serving more than 500 zones.

- Native support for switched single-subnet networks, with add-on support for routed multi-subnet topologies.*
- Dynamic allocation of multiple and simultaneous audio channels to save on network bandwidth; audio connections are created when a call or a message is broadcast, and freed up immediately afterwards.
- Secure interconnections using Advanced Encryption Standard (AES128) for audio data and Transport Layer Security (TLS) for control data.
- Receiver for Dante or AES67 audio channels from external sources, with dynamic re-routing to open or secure OMNEO channels.
- Internal storage capacity for messages and tones; up to eight messages can be played back simultaneously.
- Internal real time clock for scheduled events and event time stamping; support for Network Time Protocol (NTP) with automatic adjustment for Daylight Saving Time (DST).
- Internal system event and fault event log.
- Networked control interface for third party applications.
- Built-in webserver for configuration and file management using a browser.

Sound quality

- Audio-over-IP, using OMNEO, the Bosch high-quality digital audio interface, compatible with Dante and AES67; audio sample rate is 48 kHz with 24-bit sample size.

- Messages and tones are stored as high definition uncompressed wav-files.

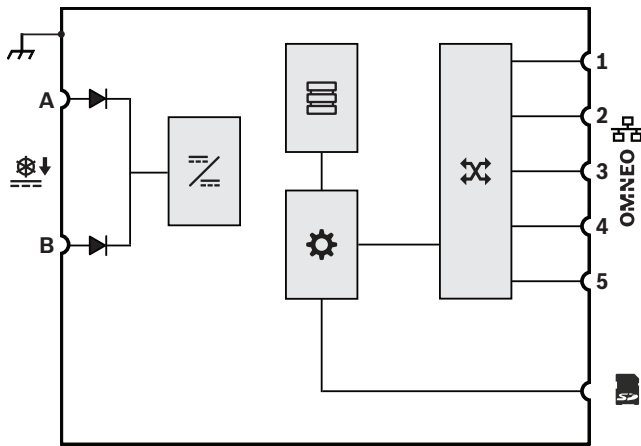
Supervision

- Supervision of stored messages and tones.
- Supervision of data integrity of site specific data.
- Internal watchdog timers to detect and recover from processor malfunctions.
- Faults or problems of all system devices are collected, reported and logged.

Fault tolerance

- Five OMNEO network connection ports, supporting RSTP.
- Dual DC-inputs with polarity reversal protection.

Connection and functional diagram



	Diode		DC to DC converter
	Message and tone storage		Controller
	OMNEO network switch		

Front view



Front panel indicators

	Device fault present	Yellow
	Network link of backup system controller to duty system controller present	Green
	Network link lost	Yellow
	Standby for redundancy	Blue*
	Power on	Green

- *Availability to be announced.

Rear view



Rear panel indicators

	100 Mbps network 1 Gbps network	Yellow Green
	Power on Device in identification mode	Green Green blinking
	Device fault present	Yellow
	SD card busy; do not remove	Green

Rear panel controls

	Device reset (to factory default)	Button
--	-----------------------------------	--------

Rear panel connections

	24 to 48 VDC input A-B	
	Memory card	
	Network port 1-5	
	Chassis ground	

Architects' and Engineers' Specifications

The IP-networked system controller shall be designed exclusively for use with Bosch PRAESENSA systems. The system controller shall dynamically assign network audio channels for audio routing between system devices across multiple subnets. It shall support >100 simultaneous High Definition audio channels (24-bit, 48 kHz) for music routing and making calls, with encryption and authentication to protect against eavesdropping and hacking. It shall be capable of receiving Dante and AES67 audio streams. The system controller shall provide an interface for control data and multi-channel digital audio over OMNEO using an integrated 5-port Ethernet switch for redundant network connections, supporting RSTP and loop-through cabling. The system controller shall have dual power supply inputs and power supplies. The system controller shall manage all devices in the system to provide the configured system functions. It shall incorporate a supervised storage for message and tone files with networked playback of up to eight streams simultaneously. It shall keep an internal log of fault events and call events. The system controller shall provide a secure TCP/IP open interface for remote control and diagnostics. The system controller shall provide front-panel LED indications for the status of power supplies and the presence of faults in the system and provide additional software monitoring and fault reporting features. The system controller shall be rack mountable (1U). The system controller shall be certified for EN 54-16 and ISO 7240-16, marked for CE and be compliant with the RoHS directive. Warranty shall be three years minimum. The system controller shall be a Bosch PRA-SCL.

Certifications and approvals

Emergency standard certifications

Europe	EN 54-16
International	ISO 7240-16

Regulatory areas

Safety	EN/IEC/CSA/UL 62368-1
Immunity	EN 55024 EN 55103-2 (E1, E2, E3) EN 50130-4
Emissions	EN 55032 EN 61000-6-3 ICES-003 ANSI C63.4 FCC-47 part 15B class A

Conformity declarations

Europe	CE/CPR
Environment	RoHS

Parts included

Quantity	Component
1	System controller
1	Set of 19"-rack mounting brackets (pre-mounted)
1	Set of screw connectors and cables
1	Quick Installation Guide
1	Important Product Information

Technical specifications

Electrical

Control	
Audio routing (dynamic) OMNEO channels	Unlimited
Tone/message playback (dynamic) OMNEO channels	8
Audio inputs (static) Dante or AES67 channels	120
Audio outputs (static) Dante channels	8
Logging (internal storage)	
Call events	1000
Fault events	1000
General events	1000
Real Time Clock	
Accuracy (with NTP)	< 1 s/yr off
Accuracy (no NTP)	< 11 min/yr off
Daylight Saving Time (DST)	Automatic
Backup battery	CR2032 Lithium cell
Message/tone storage capacity	
Mono, uncompressed, 48 kHz	90 min
SD card size	1 to 32 GB
System size	
Networked devices	250 (single subnet)
Zones	500
Configuration	Web server/browser
Power transfer	
Power supply input A/B	
Input voltage range	24 to 48 VDC
Input voltage tolerance	20 to 50 VDC
Power consumption (24 V)	
Duty mode	3.9 W
Per active port	0.4 W

Supervision

Run fault (watchdog reset)	All processors
System integrity Fault report time	< 100 s
Site specific data integrity Fault report time Supervised message storage	< 1 hour 90 min
Power supply input A/B	Undervoltage

Network interface

Ethernet Protocol Redundancy	100BASE-TX, 1000BASE-T TCP/IP RSTP
Audio/control protocol Network audio latency Audio data encryption Control data security	OMNEO 10 ms AES128 TLS
Ports	5

Environmental**Climatic conditions**

Temperature Operating	-5 to +50 °C (23 to 122 °F)
Storage and transport	-30 to +70 °C (-22 to 158 °F)
Humidity (non condensing)	5 to 95 %
Air pressure (operating)	560 to 1070 hPa

Climatic conditions

Altitude (operating)	-500 to +5000 m (-1640 to 16404 ft)
Vibration (operating) Amplitude Acceleration	< 0.7 mm < 2 G
Bump (transport)	< 10 G

Mechanical**Enclosure**

Dimensions (WxHxD) With mounting brackets	483 x 44 x 400 mm (19 x 1.75 x 15.7 in)
Rack unit	19 in, 1U
Ingress protection	IP30
Case Material Color	Steel RAL9017
Frame Material Color	Zamak RAL9022HR
Weight	5.8 kg (12.8 lb)

Ordering information**PRA-SCL System controller, large**

Network-connected, DC-powered, system controller and message manager for Public Address and Voice Alarm applications.

Order number **PRA-SCL**

Represented by:

Europe, Middle East, Africa:
Bosch Security Systems B.V.
P.O. Box 80002
5600 JB Eindhoven, The Netherlands
Phone: + 31 40 2577 284
emea.securitysystems@bosch.com
emea.boschsecurity.com

Germany:
Bosch Sicherheitssysteme GmbH
Robert-Bosch-Ring 5
85630 Grasbrunn
Germany
www.boschsecurity.com

North America:
Bosch Security Systems, Inc.
130 Perinton Parkway
Fairport, New York, 14450, USA
Phone: +1 800 289 0096
Fax: +1 585 223 9180
onlinehelp@us.bosch.com
www.boschsecurity.us

Asia-Pacific:
Robert Bosch (SEA) Pte Ltd, Security Systems
11 Bishan Street 21
Singapore 573943
Phone: +65 6571 2808
Fax: +65 6571 2699
apr.securitysystems@bosch.com
www.boschsecurity.asia